

## LED Panel Indication Lamp 22.5mm Blinking LED Panel Indication Lamp 22.5mm

### Features

- Optically Enhanced Lens
- Press Fit Lens Design
- Compact Size
- Multiple Voltage Range
- Low Current Consumption
- Touch -Safe Screw Terminal connection
- Available in 7 Colors : Red, Yellow, Blue, Green, Amber, Clear, White

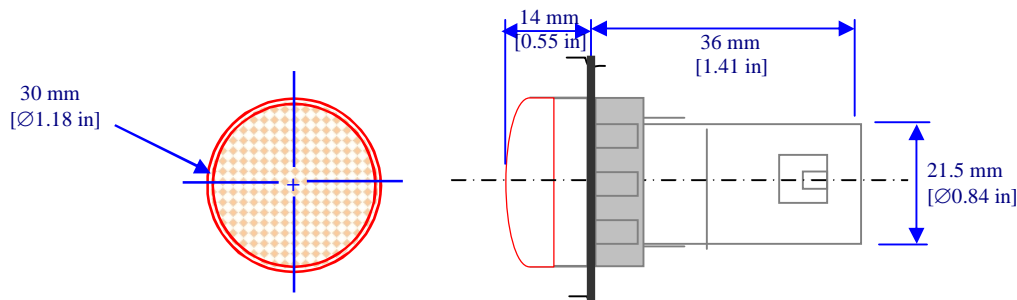


### Technical data

<b>Mechanical</b>	Lens Fitment	Press Fit
	Lens type	Refracted
	Lens Material	Polycarbonate
	Housing Material	Nylon
	Gasket Material	Silicon
	Length inside panel	36 mm
	Termination	Steel Alloy Screw With Captive Washer, Cu-Ni Plated
	Recommended Terminal screw Tightening Torque	1.25 Nm
<b>Electrical</b>	Voltage	ACV – 5, 12, 24, 30, 48, 60, 110/120, 220/240, 380,415, <i>Current Max 20mA</i> DCV – 5, 12, 24, 48, 110/120, 220/240, 320 <i>Current Max 20mA</i>
	Voltage Variation	+/- 20% of nominal supply Voltage
	Low voltage glow protection at	18 V
	Wide Voltage Band	24-240 V AC/DC, <i>Current Max 10mA</i>
	Polarity Protection	Polarity Protection for DC Lamps
	Flash Rate	1-2 Hz Fixed (For Flashing LED Lamps)
	Insulation resistance at 500 VDC	1.3 X 10 <sup>4</sup> Mega - Ohm
	Burning Hours / Service Life @ 25 <sup>0</sup> C , at rated voltage	100000 Hrs
	Terminal Capacity <i>Flexible Wire</i> <i>Solid conductor Wire</i>	2 X 0.5 to 2.5 mm <sup>2</sup> (Max) 2 X 0.5 to 2.5 mm <sup>2</sup> (Max)
	Certifications	CE
	Degree of Protection	IP 55 - Front, IP20 - Rear

### Product Dimension Drawing

Standard conformity: IEC 60947, IEC 60529



Information in the datasheet is subject to modification without prior notice