

SMLL Series LED Machine Light

Technical Data Sheet

IP67



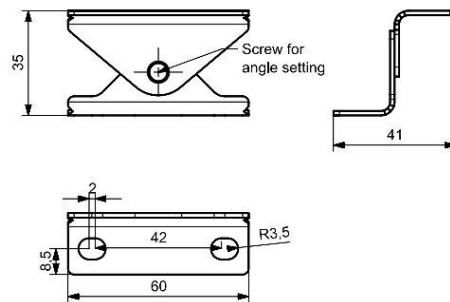
2 Core wire, 0.5 Sq. mm, 2 Mtr Lengths,
RED- Positive, BLACK - Negative

Technical Specification:

Housing Material	Anodized Aluminium 6063
Light Diffuser	4 mm Clear / Frosted Glass
LED Colour Temperature	6500 K
Light Beam Angle & CRI	40° LED Lens, CRI > 80
Power Consumption	7 W
Input Voltage	24 VDC with Polarity & 240 VAC with External Adapter
Rated Current	300 mA
Lumens Output	1200 lm at 1 Mt Height +/- 5%
Protection Grade	IP67
Luminaire Light Yield	110-120 Lumens / Watt
Operating Temp	-20 °C to +65 °C
Installation	Fixed by screws M5/M6 X 30mm

Accessories

Mounting Bracket



Adapter 230 V AC to 24 V DC

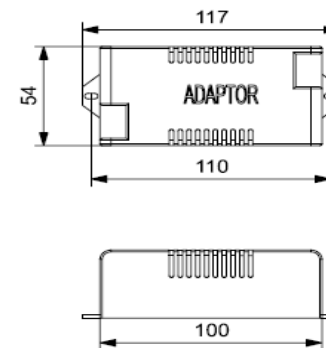


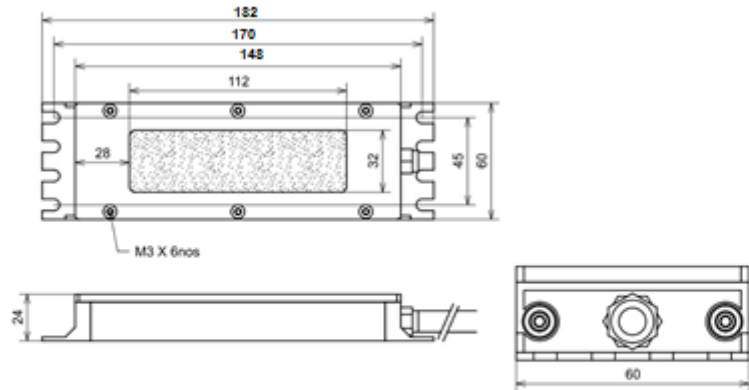
Image with Light Bracket, can also be installed without Angle setting bracket.

Craftech, 264, I floor, Mulay I Square,
Opp. Siemens, MIDC, Ambad, Nashik – 422010, INDIA
Ph. no: 0253 4000 749, Mob: 98904 55677, 9130080205

Email: info@craftech.co.in
www.craftech.co.in

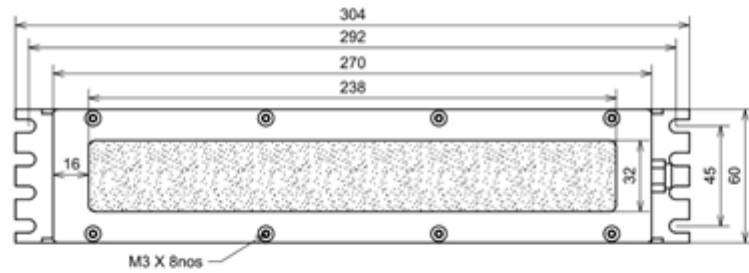
SMLL Series LED Machine Light

Technical Data Sheet



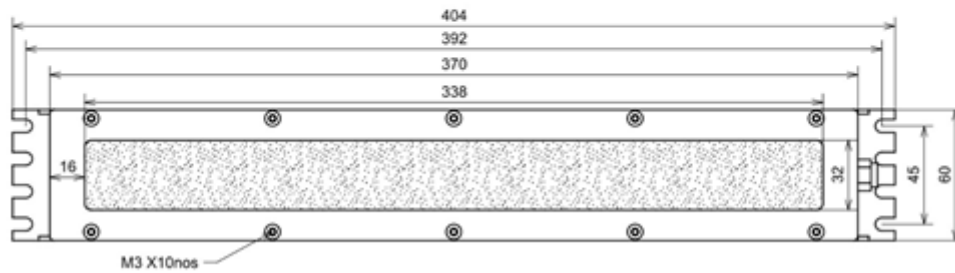
7 Watt 24 VDC

P/N: CR-SMLL-24-D-8W



14 Watt 24 VDC

P/N: CR-SMLL-24-D-14W



21 Watt 24 VDC

P/N: CR-SMLL-24-D-21W