

## LED Panel Indication Lamp 22.5mm

### Features

- Optically Enhanced Lens
- Press Fit Lens Design
- Compact Size
- Multiple Voltage Range
- Low Current Consumption
- Touch -Safe Screw Terminal connection
- Available in 7 Colors : Red, Yellow, Blue, Green, Amber, Clear, White

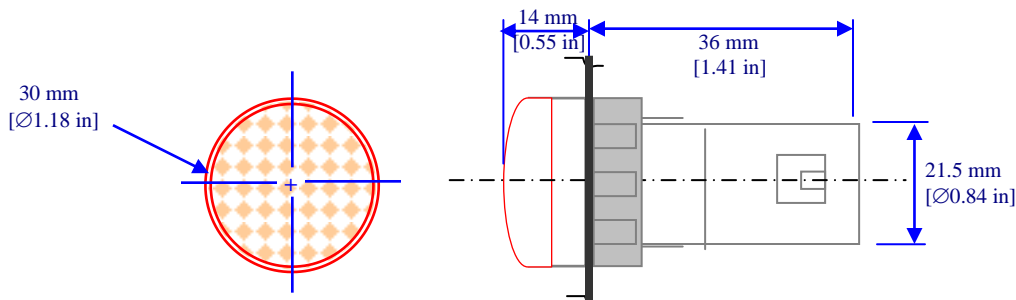


### Technical data

<b>Mechanical</b>	Lens Fitment	Press Fit
	Lens type	Refracted
	Lens Material	Polycarbonate
	Housing Material	Nylon
	Gasket Material	Silicon
	Length inside panel	36 mm
	Termination	Steel Alloy Screw With Captive Washer, Cu-Ni Plated
	Recommended Terminal screw Tightening Torque	1.25 Nm
<b>Electrical</b>	Voltage	ACV – 5, 12, 24, 30, 48, 60, 110/120, 220/240, 380,415, <i>Current Max 20mA</i> DCV – 5, 12, 24, 48, 110/120, 220/240, 320 <i>Current Max 20mA</i>
	Voltage Variation	+/- 20% of nominal supply Voltage
	Low voltage glow protection at	18 V
	Wide Voltage Band	24-240 V AC/DC, <i>Current Max 10mA</i>
	Polarity Protection	Polarity Protection for DC Lamps
	Flash Rate	1-2 Hz Fixed (For Flashing LED Lamps)
	Insulation resistance at 500 VDC	1.3 X 10 <sup>4</sup> Mega - Ohm
	Burning Hours / Service Life @ 25 <sup>0</sup> C , at rated voltage	100000 Hrs
	Terminal Capacity <i>Flexible Wire</i> <i>Solid conductor Wire</i>	2 X 0.5 to 2.5 mm <sup>2</sup> (Max) 2 X 0.5 to 2.5 mm <sup>2</sup> (Max)
	Certifications	CE
Degree of Protection	IP 55 - Front, IP20 - Rear	

### Product Dimension Drawing

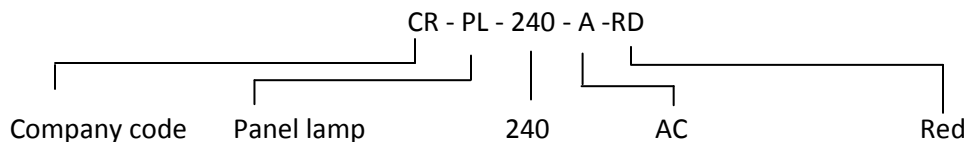
Standard conformity: IEC 60947, IEC 60529



Information in the datasheet is subject to modification without prior notice

## 22.5 mm LED Indication Lamp Order Code / Part no

### Example



### Ordering Code Table

<u>VOLTAGE</u>	<u>COLOR</u>	<u>PART NO</u>	<u>VOLTAGE</u>	<u>COLOR</u>	<u>PART NO</u>
24 VAC/VDC	RED	CR-PL-24-AD-RD	48 VDC	RED	CR-PL-48-D-RD
24 VAC/VDC	GREEN	CR-PL-24-AD-GN	48 VDC	GREEN	CR-PL-48-D-GN
24 VAC/VDC	AMBER	CR-PL-24-AD-AM	48 VDC	AMBER	CR-PL-48-D-AM
24 VAC/VDC	BLUE	CR-PL-24-AD-BI	48 VDC	BLUE	CR-PL-48-D-BL
24 VAC/VDC	WHITE	CR-PL-24-AD-WH	48 VDC	WHITE	CR-PL-48-D-WH
24 VAC/VDC	YELLOW	CR-PL-24-AD-YL	48 VDC	YELLOW	CR-PL-48-D-YL
24 VAC/VDC	CLEAR	CR-PL-24-AD-CL	48 VDC	CLEAR	CR-PL-48-D-CL
<hr/>					
63.5 VAC	RED	CR-PL-63-A-RD	110 VDC	RED	CR-PL-110-D-RD
63.5 VAC	GREEN	CR-PL-63-A-GN	110 VDC	GREEN	CR-PL-110-D-GN
63.5 VAC	AMBER	CR-PL-63-A-AM	110 VDC	AMBER	CR-PL-110-D-AM
63.5 VAC	BLUE	CR-PL-63-A-BL	110 VDC	BLUE	CR-PL-110-D-BL
63.5 VAC	WHITE	CR-PL-63-A-WH	110 VDC	WHITE	CR-PL-110-D-WH
63.5 VAC	YELLOW	CR-PL-63-A-YL	110 VDC	YELLOW	CR-PL-110-D-YL
63.5 VAC	CLEAR	CR-PL-63-A-CL	110 VDC	CLEAR	CR-PL-110-D-CL
<hr/>					
110 VAC	RED	CR-PL-110-A-RD	220/240 VAC	RED	CR-PL-240-A-RD
110 VAC	GREEN	CR-PL-110-A-GN	220/240 VAC	GREEN	CR-PL-240-A-GN
110 VAC	AMBER	CR-PL-110-A-AM	220/240 VAC	AMBER	CR-PL-240-A-AM
110 VAC	BLUE	CR-PL-110-A-BL	220/240 VAC	BLUE	CR-PL-240-A-BL
110 VAC	WHITE	CR-PL-110-A-WH	220/240 VAC	WHITE	CR-PL-240-A-WH
110 VAC	YELLOW	CR-PL-110-A-YL	220/240 VAC	YELLOW	CR-PL-240-A-YL
110 VAC	CLEAR	CR-PL-110-A-CL	220/240 VAC	CLEAR	CR-PL-240-A-CL
<hr/>					
415 VAC	RED	CR-PL-415-A-RD	220 VDC	RED	CR-PL-220-D-RD
415 VAC	YELLOW	CR-PL-415-A-YL	220 VDC	GREEN	CR-PL-220-D-GN
415 VAC	BLUE	CR-PL-415-A-BL	220 VDC	AMBER	CR-PL-220-D-AM
415 VAC	GREEN	CR-PL-415-A-GN	220 VDC	BLUE	CR-PL-220-D-BL
415 VAC	AMBER	CR-PL-415-A-AM	220 VDC	WHITE	CR-PL-220-D-WH
415 VAC	WHITE	CR-PL-415-A-WH	220 VDC	YELLOW	CR-PL-220-D-YL
415 VAC	CLEAR	CR-PL-415-A-CL	220 VDC	CLEAR	CR-PL-220-D-CL
<hr/>					
24-240 VAC/VDC	RED	CR-PL-24-240-AD-RD			
24-240 VAC/VDC	YELLOW	CR-PL-24-240-AD-YL			
24-240 VAC/VDC	BLUE	CR-PL-24-240-AD-BL			
24-240 VAC/VDC	GREEN	CR-PL-24-240-AD-GN			
24-240 VAC/VDC	AMBER	CR-PL-24-240-AD-AM			
24-240 VAC/VDC	WHITE	CR-PL-24-240-AD-WH			
24-240 VAC/VDC	CLEAR	CR-PL-24-240-AD-CL			

Information in the datasheet is subject to modification without prior notice

Craftech, 264, 1 floor, Mulay 1 Square,  
Opp. Siemens, MIDC, Ambad,  
Nashik – 422010, INDIA

**craftech**

Enhancing Business Performance

Email: [info@craftech.co.in](mailto:info@craftech.co.in)  
[www.craftech.co.in](http://www.craftech.co.in)