

LED Machine Light 8 Watt

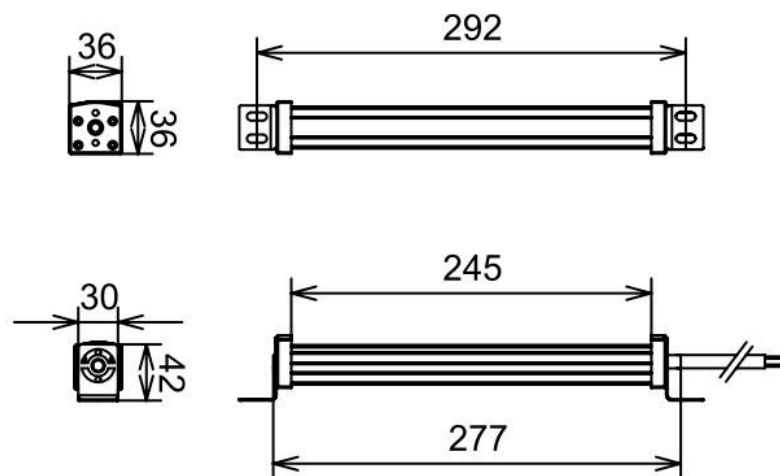


Craftech LED Machine Lights are compact, robust and efficient. It provides bright and uniform light distribution improving productivity and safety in operations. It is suitable for light as well as heavy industrial applications. It is constructed with heavy duty extruded aluminum and tempered glass with frosted surface finish to minimize glare on eyes. With estimated working life of 50,000 hrs, that will provide 5 years of maintenance free operation.

Specification

Light diffuser	PMMA for Diffused, PC for Clear
Housing material	Heavy Duty Extruded Anodized Aluminium Housing 6063 Grade
Mounting arrangement	"L" Clamp, rotatable mounting to change Light Focus angle
LED Type	LM 80 Approved , 2835 Package LED , 0.2 watt/LED & 0.5 watt/LED
LED Light Angle, Color, CRI	120 Deg, 6500K, >80
Luminaire Light Yield	110-120 Lumens / Watt
Insulation resistance at 500 VDC	1.3 X 10 ⁴ Mega - Ohm
Operating temperature	-20 ⁰ C to +65 ⁰ C
Operating Life	50,000 Hrs
Standard Conformity, Degree of Protection	IEC 60947, IEC 60529, IEC 60068 , IP67

Product Dimension



*Image only for representative purpose
The LED light is available in standard version and can be customized to size and wattage as per customer for specific application requirement*

Parameters	8 W, 24 VDC
Model / Part No	CR-LMLL-24-D-8W
Luminous Flux @1 Mtr	E _{max} . 279 lx E _{min} .. 203 lx
Input Current (Max)	350mA

Information in the datasheet is subject to modification without prior notice

Craftech, 264, 1 floor, Mulay 1 Square,
Opp. Siemens, MIDC, Ambad,
Nashik – 422010, INDIA