

LED Machine Light 12 Watt

IP67



Craftech LED Machine Lights are compact, robust and efficient. It provides bright and uniform light distribution improving productivity and safety in operations. It is suitable for light as well as heavy industrial applications. It is constructed with heavy duty extruded aluminum and tempered glass with frosted surface finish to minimize glare on eyes. With estimated working life of 50,000 hrs, that will provide 5 years of maintenance free operation.

Specification

Light diffuser	5mm Clear / Frosted Glass
Housing material	Anodized Aluminium Housing 6063 Grade
Mounting arrangement	"L" Clamp, rotatable mounting
LED Type	LM 80 Approved , OSRAM 0.5W LED
LED Light Angle, Color, CRI	120 Deg, 6500K, >80
Luminaire Light Yield	110-120 Lumens / Watt
Insulation resistance at 500 VDC	1.3 X 10 ⁴ Mega - Ohm
Operating temperature	-20°C to +65°C
Operating Life	50,000 Hrs
Standard Conformity, Degree of Protection	IEC 60947, IEC 60529, IEC 60068 , IP67

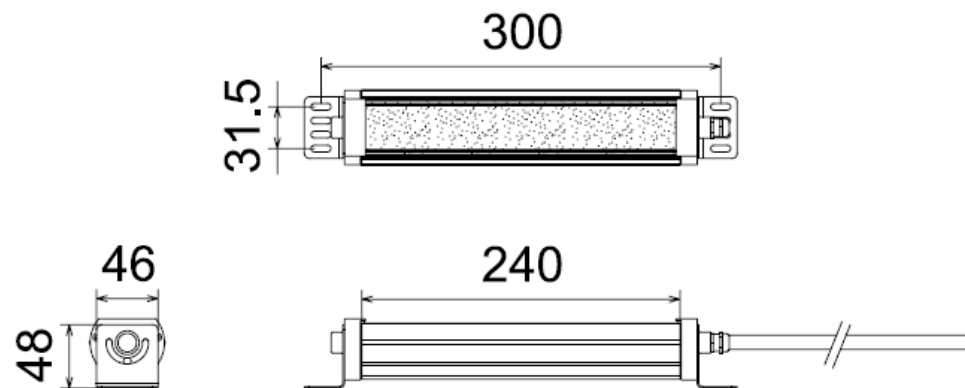
Image only for representative purpose

The LED light is available in standard version and can be customized to size and wattage as per customer for specific application requirement

Note: Light also available with Lens 40 degree

Parameters	12 W, 24 VDC
Model / Part No	CR-RMLL-24-D-12W
Input Current (Max)	500 mA

Product Dimension



Oil Resistance PVC Wire 2 x 0.5 Sq.mm, 3 Meter long.

Information in the datasheet is subject to modification without prior notice

Craftech, 264, 1 floor, Mulay I Square,
Opp. Siemens, MIDC, Ambad,
Nashik – 422010, INDIA