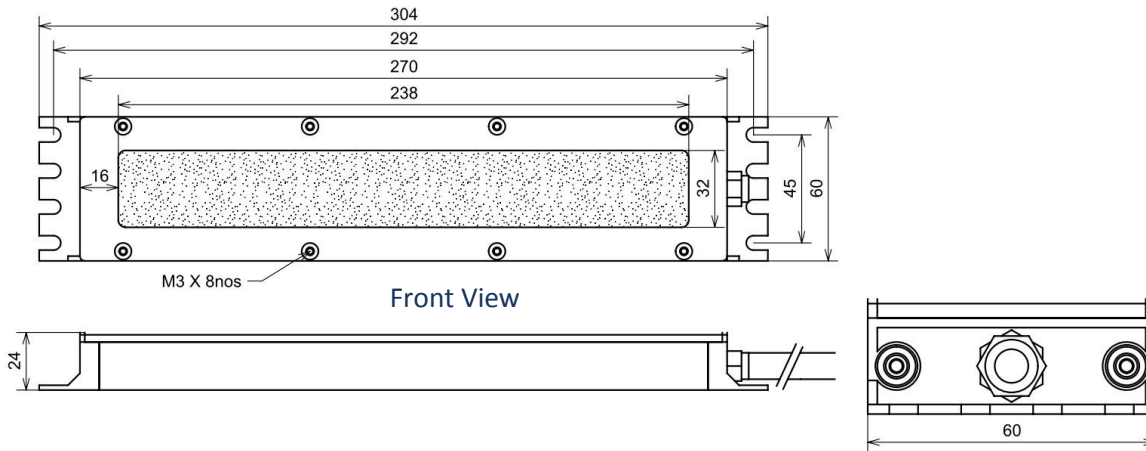


Slim LED Machine Light 14 Watt

Technical Data Sheet



2 Core wire, 0.5 Sq. mm, 2 Mtr Lengths,
RED- Positive, BLACK - Negative

Side View

Image with Light Bracket, can also be installed
without bracket.

Technical Specification:

LED Colour Temperature	6500 K
Light Beam Angle & CRI	40° LED Lens, CRI > 80
Power Consumption	14 W
Input Voltage	24 VDC with Polarity & 240 VAC with External Adapter
Rated Current	600 mA (Max)
Lumens Output	1200 lm at 1 Mt Height +/- 5%
Protection Grade	IP67
Luminaire Light Yield	110-120 Lumens / Watt
Operating Temp	-20 °C to +65 °C
Installation	Fixed by screws M5/M6 X 30mm

Features:

1. Aluminium Body 6063 grade
2. Frosted glass 4 mm thickness
3. LED Light available with Lens and without lens
4. Compact and easy to install.
5. Light position can be adjusted with tilting bracket.

Model no / Ordering code	Description
CR-MLLS-24-D-7W	24 VDC with inbuilt Driver
CR-MLLS-230-A-7W	230 VAC with external adapter