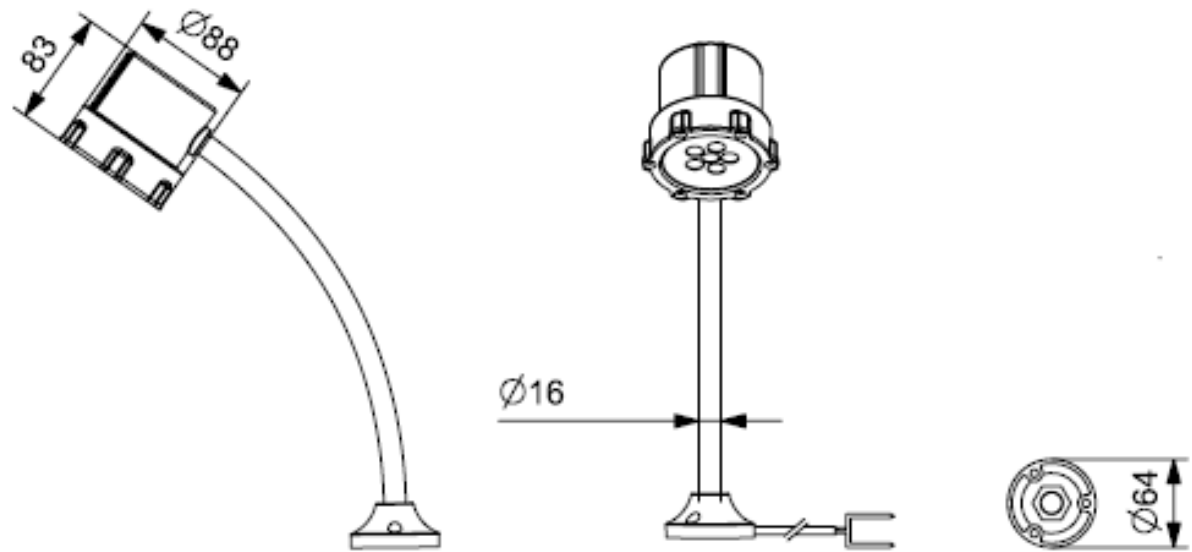


GNLL Series LED Light

IP50



All Dimension in mm

Image only for representation

Input Voltage	24 VDC, in build driver 110-230 VAC with external adapter
Power	9Watt, 375 mA, 12W, 500 mA
LED Driver	Constant current Driver Inbuilt
LED Lens Angle	40 Deg, Also Available in without Lens
LED Type, CCT	High Power LED , 6500K & 3000K
Operating temperature	-10 ⁰ C to +55 ⁰ C
Lumens	1300 lx @ 1 Mtr (+/- 5%) for 9W power
Degree of Protection	IP 50

Ordering Code	CR-GNLL-24-D-XX-9W CR-GNLL-24-D-XX-12W <i>XX- 12 (For 12 inch goose neck)</i> <i>XX-18 (For 18 inch goose neck)</i> <i>XX- 24 (For 24 inch Goose neck)</i>
Housing Material	Aluminium Machined
Switch	Rocker ON/OFF Switch on rear
Wire	2 Core Wire, 2 Mtr Length, RED- Positive, BLACK - Negative
Installation	Fixed by 3 no's M5 X 30mm SS Screw, supplied with Light



Adapter 110-230 VAC, 1A