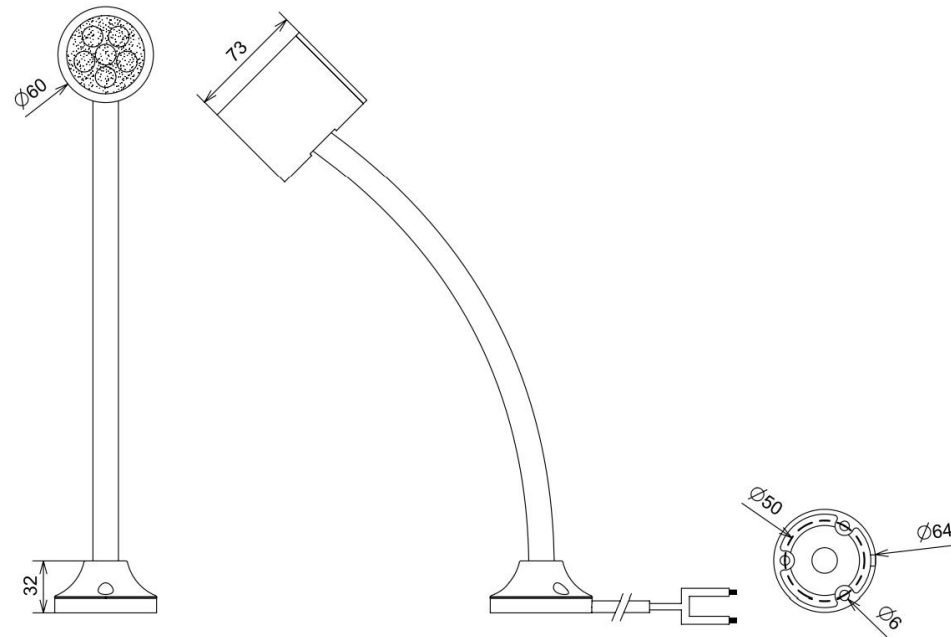


GNLL Series LED Light

IP50



Image only for representation



Input Voltage	24 VDC, in build driver 110-230 VAC with external adapter
Power	4.5 Watt, 200 mA
LED Driver	Constant current Driver Inbuilt
LED Lens Angle	40 Deg, Also Available in without Lens
Light diffuser	Clear, (Diffused Available)
LED Type, CCT	High Power , 6500K & 3000K
Operating temperature	-10 ⁰ C to +55 ⁰ C
Lumens	1300 lx @ 1 Mtr (+/- 5%)
Degree of Protection	IP 50

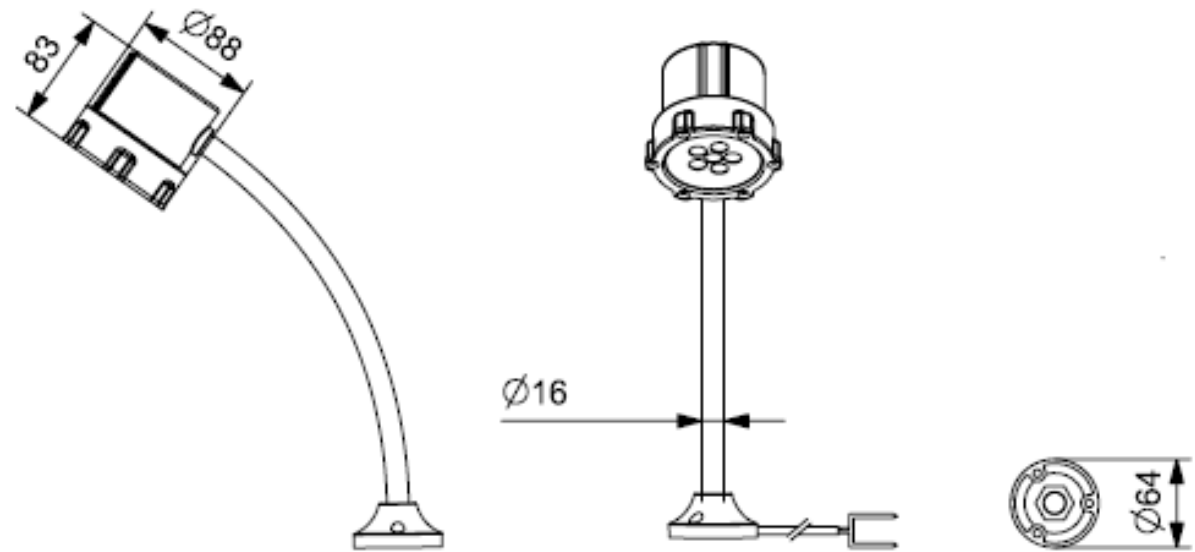
Ordering Code	CR-GNLL-24-D-XX-4.5W XX- 12 (For 12 inch goose neck) XX-18 (For 18 inch goose neck) XX- 24 (For 24 inch Goose neck)
Housing Material	Machined Aluminium 6063
Switch	Rocker ON/OFF Switch on rear
Wire	2 Core Wire, 2 Mtr Length, RED- Positive, BLACK - Negative
Installation	Fixed by 3 no's M5 X 30mm SS Screw, supplied with Light



Adapter 110-230 VAC, 1A

GNLL Series LED Light

IP50



All Dimension in mm

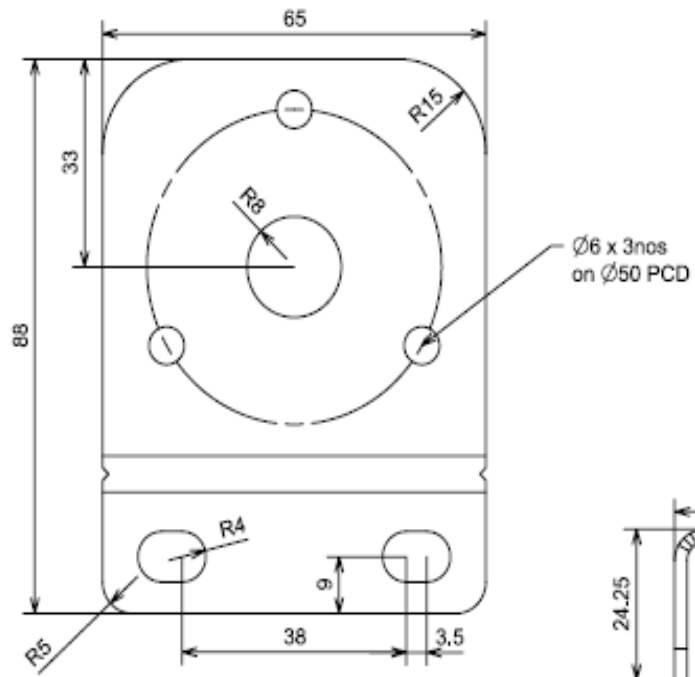
Image only for representation

Input Voltage	24 VDC, in build driver 110-230 VAC with external adapter
Power	9Watt, 375 mA, 12W, 500 mA
LED Driver	Constant current Driver Inbuilt
LED Lens Angle	40 Deg, Also Available in without Lens
LED Type, CCT	High Power LED , 6500K & 3000K
Operating temperature	-10 ⁰ C to +55 ⁰ C
Lumens	1300 lx @ 1 Mtr (+/- 5%) for 9W power
Degree of Protection	IP 50

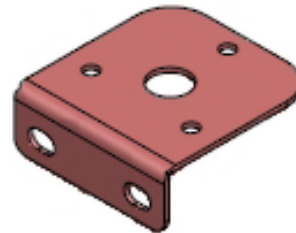
Ordering Code	CR-GNLL-24-D-XX-9W CR-GNLL-24-D-XX-12W
	<i>XX- 12 (For 12 inch goose neck)</i>
	<i>XX-18 (For 18 inch goose neck)</i>
	<i>XX- 24 (For 24 inch Goose neck)</i>
Housing Material	Aluminium Machined
Switch	Rocker ON/OFF Switch on rear
Wire	2 Core Wire, 2 Mtr Length, RED- Positive, BLACK - Negative
Installation	Fixed by 3 no's M5 X 30mm SS Screw, supplied with Light

Accessories

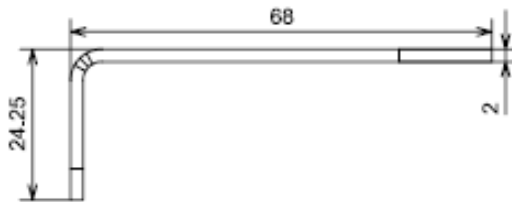
Mounting Bracket



FRONT VIEW
UNBEND PROFILE



ISOMETRIC VIEW
BEND PROFILE



SIDE VIEW
BEND PROFILE

Adapter 110-230 VAC to 24 VDC, 1A

