

## Features

- Slim LED Light for Electrical Panel Industry
- Diffused Cool White Light for Strain less working
- Powder Coated Aluminium Main Body
- Suitable for Ceiling Mounting and Wall Mounting
- Designed for Small and Large Electrical Panels
- Sleek & Compact Design
- Longer Life of 50,000 Hrs.
- Quick and Easy to Install
- Integrated Power Unit
- Available with Clamp, Screw and Magnet Mounting

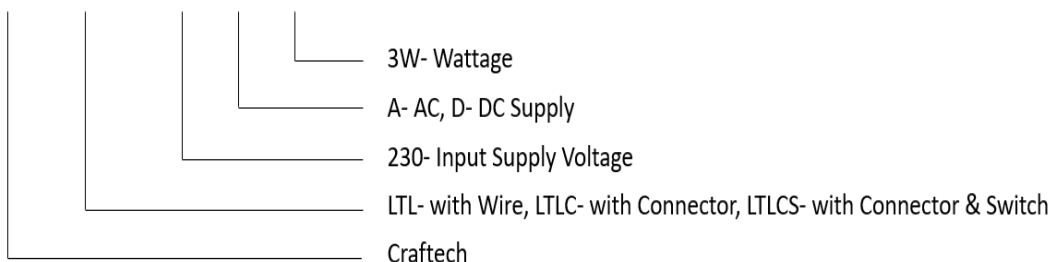


## Specifications

Operating Voltage	P/N	Dimension mm / inch (l x w x h)
3,4 Watt, AC 240 V (Min AC 200 V, Max AC 265 V) 50/60Hz	CR-LTL-230-A-3W	125 x 22 x 36 / 4.92" x 0.86" x 1.41"
3,4 Watt, AC 110 V (Min AC 100 V, Max AC 130 V) 50/60Hz	CR-LTL-110-A-3W	125 x 22 x 36 / 4.92" x 0.86" x 1.41"
6 Watt, AC 110-240 V (Min AC 110 V, Max AC 265 V) 50/60Hz	CR-LTL-110-230-A-6W	235 x 22 x 36 / 9.25" x 0.86" x 1.41"
8 Watt, AC 110-240 V (Min AC 110 V, Max AC 265 V) 50/60Hz	CR-LTL-110-230-A-8W	235 x 22 x 36 / 9.25" x 0.86" x 1.41"
10 Watt, AC 240 V (Min AC 200 V, Max AC 265 V) 50/60Hz	CR-LTL-230-A-10W	350 x 22 x 36 / 13.77" x 0.86" x 1.41"
10 Watt, AC 110 V (Min AC 100 V, Max AC 120 V) 50/60Hz	CR-LTL-110-A-10W	350 x 22 x 36 / 13.77" x 0.86" x 1.41"
10 Watt, DC 110/220 V (Min DC 90 V, Max DC 220 V)	CR-LTL-230-D-10W	350 x 22 x 36 / 13.77" x 0.86" x 1.41"
10 Watt, AC 240 V (Min AC 200 V, Max AC 265 V) 50/60Hz	CR-LTL-230-A-10W	350 x 22 x 36 / 13.77" x 0.86" x 1.41"
12 Watt, AC 240 V (Min AC 200 V, Max AC 265 V) 50/60Hz	CR-LTL-230-A-12W	350 x 22 x 36 / 13.77" x 0.86" x 1.41"
12 Watt, AC 110 V (Min AC 100V, Max AC 120 V) 50/60Hz	CR-LTL-110-A-12W	350 x 22 x 36 / 13.77" x 0.86" x 1.41"
15 Watt, AC 240 V (Min AC 200 V, Max AC 265 V) 50/60Hz	CR-LTL-230-A-15W	470 x 22 x 36 / 18.5" x 0.86" x 1.41"
3 Watt, DC 48 V (Min DC 30 V, Max DC 60 V)	CR-LTL-48-D-3W	120 x 22 x 36 / 4.72" x 0.86" x 1.41"
5 Watt, DC 24 V (Min DC 18 V, Max DC 30 V)	CR-LTL-24-D-5W	235 x 22 x 36 / 9.25" x 0.86" x 1.41"
10 Watt, DC 24 V (Min DC 18 V, Max DC 30 V)	CR-LTL-24-D-10W	485 x 22 x 36 / 19.00" x 0.86" x 1.41"

## Ordering Code

### CR-LTLXX-230-A-3W



Information in the datasheet is subject to modification without prior notice

Craftech, 264, I floor, Mulay I Square,  
Opp. Siemens, MIDC, Ambad,  
Nashik – 422010, INDIA

Email: [info@craftech.co.in](mailto:info@craftech.co.in)  
[www.craftech.co.in](http://www.craftech.co.in)

# Luminaries for Electrical Panel

## LED Tube Light



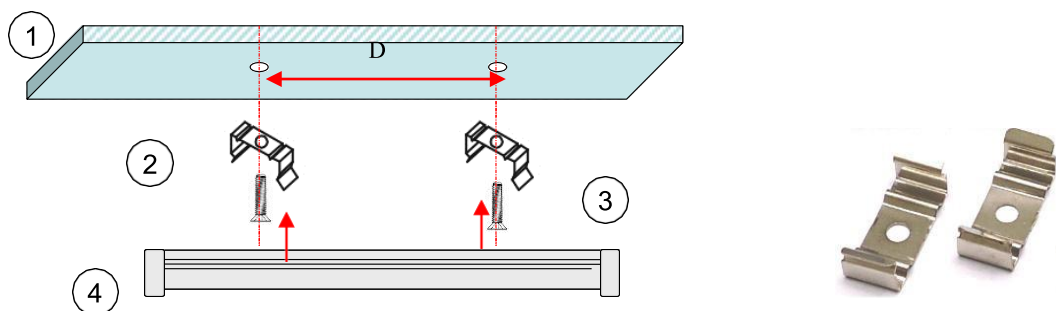
Technical Data Sheet

Version: 3, Date: 07/03/2024

### Technical Data

LED type	SMD2835, LM80 approved
Colour Temp (CCT)	6500 K
Luminous Efficiency	100 lm/watt
Beam Angle	120 Deg
CRI (min)	80
Storage Temperature	-20°C to + 75°C
Operating Temperature	-10°C to + 65°C
Protection class	IP 20
Service Life	50,000 Hrs. @ 25°C
Accessories	2 no's Clamps for Clamp Mounting, Wire for Input Supply or Connector for Input Supply
Housing Material	PC + Aluminium

### Installation Diagram for Clamp Fitting



1. Mounting surface 2. Mounting Clamp 3. Screw 4. LED Tube Light

### Recommended Mounting Dimension

Product	Hole Distance for Clamp fitting	Hole Distance for Screw fitting
3 Watt, 230 VAC LED Tube Light (125 x 22 x 36)	60 mm	145 mm
6 Watt, 230 VAC LED Tube Light (235 x 22 x 36)	150 mm	255 mm
9/10/12 Watt, 230 VAC LED Tube Light (350 x 22 x 36)	230 mm	370 mm

Use M5/M6 screw for Screw fitting (Torque 2 Nm Max)



Information in the datasheet is subject to modification without prior notice

Craftech, 264, I floor, Mulay I Square,  
Opp. Siemens, MIDC, Ambad,  
Nashik – 422010, INDIA

Email: [info@craftech.co.in](mailto:info@craftech.co.in)  
[www.craftech.co.in](http://www.craftech.co.in)

