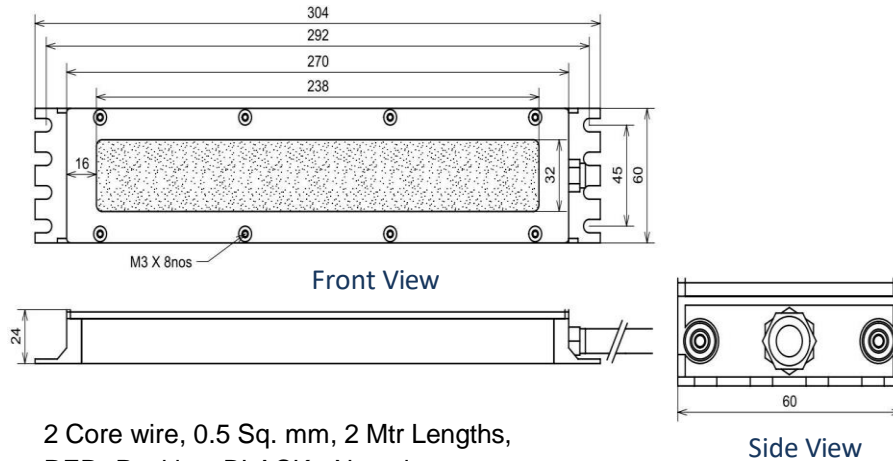


# Slim LED Machine Light 14 Watt

IP67

Technical Data Sheet

Version 1, Date:27/02/2022



2 Core wire, 0.5 Sq. mm, 2 Mtr Lengths,  
RED- Positive, BLACK - Negative



Image with Light Bracket, can also be installed without bracket.

## Technical Specification:

LED Colour Temperature	6500 K
Light Beam Angle & CRI	40° LED Lens, CRI > 80
Power Consumption	14 Watt
Input Voltage	24 VDC with Polarity & 240 VAC with External Adapter
Rated Current	600 mA (Max)
Lumens Output	1200 lm at 1 Mt Height +/- 5%
Protection Grade	IP67
Luminaire Light Yield	110-120 Lumens / Watt
Operating Temperature	-20°C to +65°C
Installation	Fixed by screws M5/M6 X 30mm

## Features:

1. Aluminium Body 6063 grade
2. Frosted glass 4 mm thickness
3. LED Light available with Lens and without lens
4. Compact and easy to install.
5. Light position can be adjusted with tilting bracket.

Model no / Ordering code	Description
CR-SMLL-24-D-14W	24 VDC with Inbuilt Driver
CR-SMLL-230-A-14W	230 VAC with External Adapter

Information in the datasheet is subject to modification without prior notice

Craftech, 264, I floor, Mulay I Square,  
Opp. Siemens, MIDC, Ambad,  
Nashik – 422010, INDIA

Email: [info@craftech.co.in](mailto:info@craftech.co.in)  
[www.craftech.co.in](http://www.craftech.co.in)

 **craftech**™  
Enhancing Business Performance