

GNLL Series LED Light 12 Watt

Technical Data Sheet

IP50

Version 1, Date: 26/08/2023

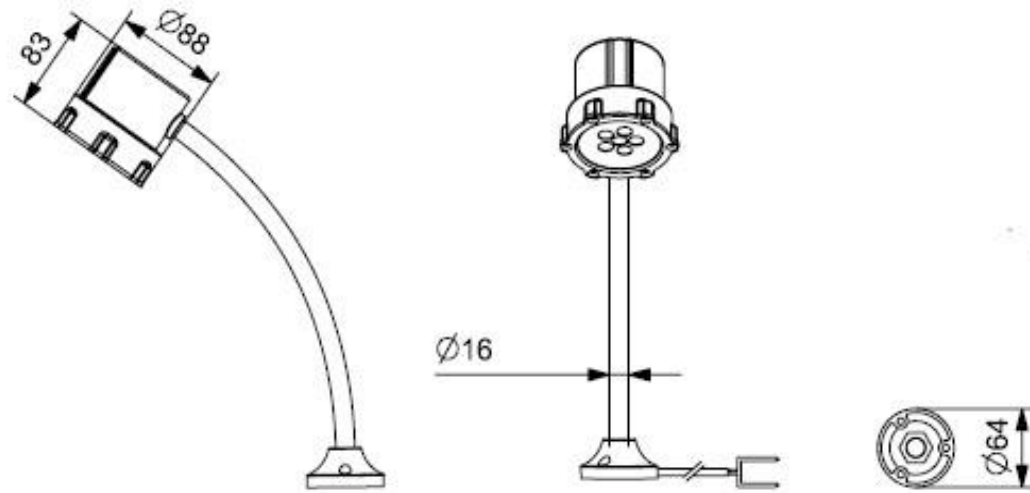


Image only for representation purpose

All Dimension in mm

Input Voltage	24 VDC, In build Driver 110-230 VAC with External Adapter
Power	9Watt- 375 mA, 12W- 500 mA
LED Driver	Constant current Driver Inbuilt
LED Lens Angle	40 Deg, Also Available in without Lens
LED Type, CCT	High Power LED, 6500K & 3000K
Operating Temperature	-10°C to +55°C
Lumens	1300 lx @ 1 Mtr (+/- 5%) for 9W power
Degree of Protection	IP 50

Ordering Code	CR-GNLL-24-D-XX-9W CR-GNLL-24-D-XX-12W <i>XX-12 (For 12 inch Goose neck)</i> <i>XX-18 (For 18 inch Goose neck)</i> <i>XX-24 (For 24 inch Goose neck)</i>
Housing Material	Aluminium Machined
Switch	Toggle ON/OFF Switch on rear
Wire	2 Core Wire, 2 Mtr Length, RED- Positive, BLACK - Negative
Installation	Fixed by 3 no's M5 X 30mm SS Screw, supplied with Light

Adapter 110-230V AC, 1A



Information in the datasheet is subject to modification without prior notice

Craftech, 264, I floor, Mulay I Square,
Opp. Siemens, MIDC, Ambad,
Nashik-422010, INDIA

Email: info@craftech.co.in
www.craftech.co.in