

GNLL Series LED Light 4.5 Watt

IP50

Technical Data Sheet
Version 1, Date: 26/08/2023

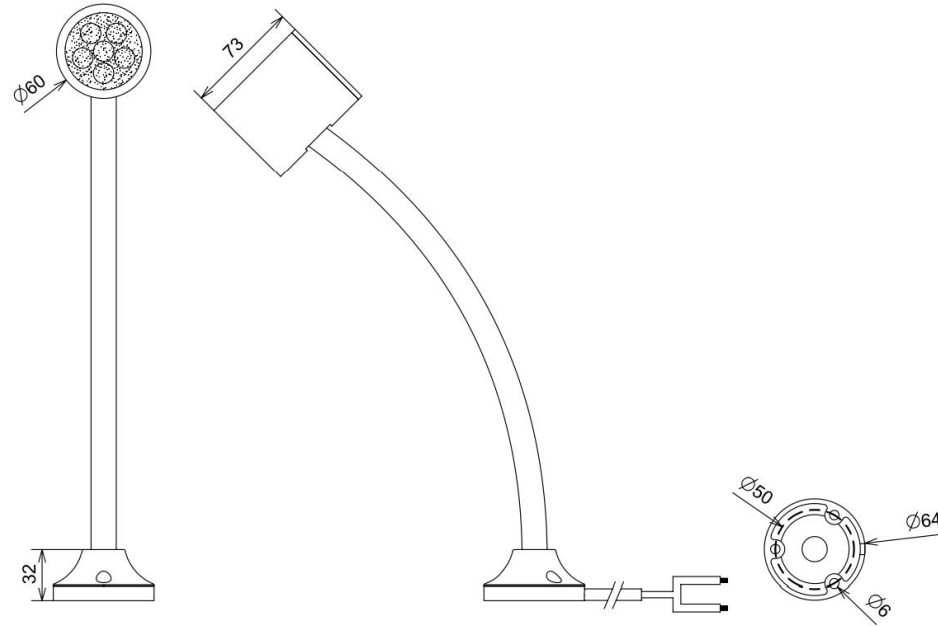


Image only for representation purpose

All Dimension in mm

Input Voltage	24 VDC, In build Driver 110-230 VAC with External Adapter
Power	4.5-Watt- 200 mA
LED Driver	Constant Current Driver Inbuilt
LED Lens Angle	40 Deg, Also Available in without Lens
Light Diffuser	Clear, (Diffused Available)
LED Type, CCT	High Power, 6500K & 3000K
Operating Temperature	-10°C to +55°C
Lumens	1300 lx @ 1 Mtr (+/- 5%)
Degree of Protection	IP 50

Ordering Code	CR-GNLL-24-D-XX-4.5W XX- 12 (For 12-inch goose neck) XX-18 (For 18-inch goose neck) XX- 24 (For 24-inch Goose neck)
Housing Material	Machined Aluminium 6063
Switch	Rocker ON/OFF Switch on rear
Wire	2 Core Wire, 2 Mtr Length, RED- Positive, BLACK - Negative
Installation	Fixed by 3 no's M5 X 30 mm SS Screw, supplied with Light

Adapter 110-230 VAC, 1A



Information in the datasheet is subject to modification without prior notice

Craftech, 264, I floor, Mulay I Square,
Opp. Siemens, MIDC, Ambad,
Nashik-422010, INDIA

Email: info@craftech.co.in
www.craftech.co.in