

# FALL Series Short Arm LED Light

## Technical Data Sheet

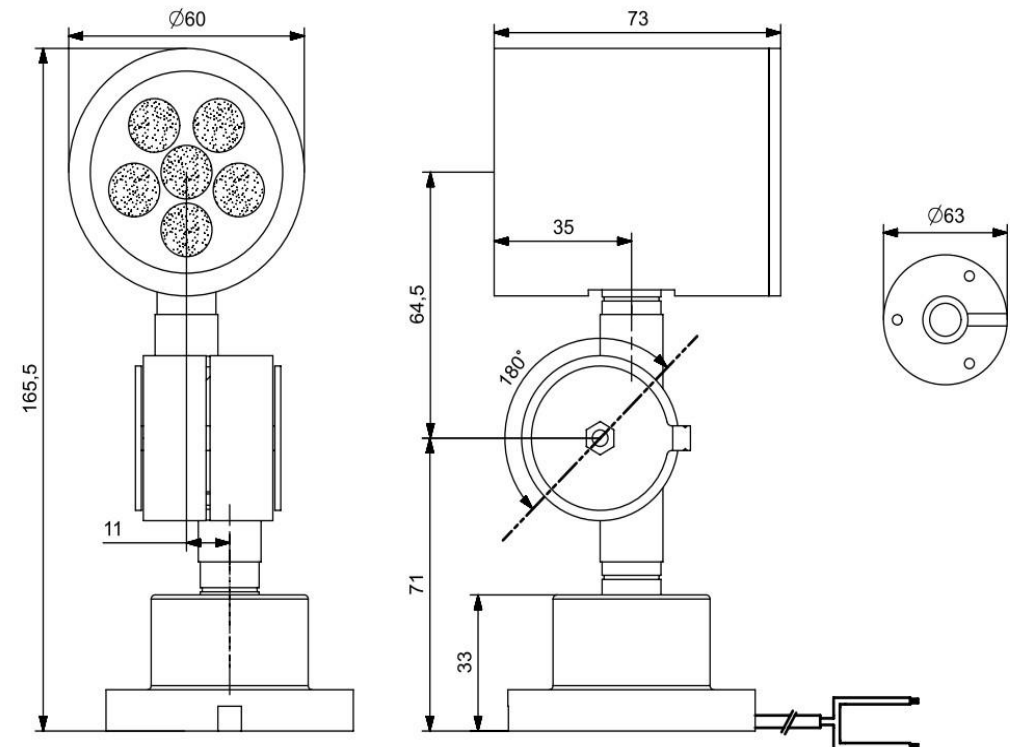
Version: 1, Date: 01/08/2022



*Image only for representation purpose*

Input Voltage	24 VDC, 110-230 VAC with External Adapter
Power	4.5-Watt, 200 mA
LED Driver	Constant current Driver Inbuilt
LED Lens Angle	40 Deg, Also Available in without Lens
Light diffuser	Clear, (Diffused Available)
LED Type, CCT	High Power, 6500K
Operating temperature	-10°C to +55°C
Lumens	3200 lx @ 1 Mtr
Degree of Protection	IP65

Ordering Code	CR-FALL-S-24-D-4.5W
Housing Material	Aluminium Machined
Switch	Rocker ON/OFF Switch on rear
Wire	2 Core Wire, 2 Mtr Length, RED- Positive, BLACK - Negative
Installation	Fixed by 3 no's M5 X 30mm SS Screw, supplied with Light



All Dimension in mm

Information in the datasheet is subject to modification without prior notice

Craftech, 264, I floor, Mulay I Square,  
Opp. Siemens, MIDC, Ambad,  
Nashik – 422010, INDIA

Email: [info@craftech.co.in](mailto:info@craftech.co.in)  
[www.craftech.co.in](http://www.craftech.co.in)