



### Features

- Bright LED Fault Indication
- Flush mountable on Panel
- Compact Size
- Wide Operating Voltage Band
- Low Current Consumption
- High Audible sound output
- Available in Multiple Voltage range

### Technical Specifications

#### Ordering Code:

Input Voltage	P/N	P/N
	With Acknowledgement	Without Acknowledgement
90-230 V AC/DC	CR-EHACK-90-230-AD	CR-EH-90-230-AD
24-230V AC/DC	CR-EHACK-24-230-AD	CR-EH-24-230-AD

<b>Mechanical</b>	Mounting	Flush Mounting
	Dimension	Bezel – 96 mm X 96 mm
		Depth – 65 mm
	Mounting Hole Cut out	92 mm X 92 mm
	Housing Material	ABS
	Weight	70 Gms Max
	Environmental Protection	IP 40
	Termination	Combi Con Connectors
Recommended Terminal screw Tightening Torque	1.25 Nm	
<b>Electrical</b>	Operating Voltage range	24-230 V AC/DC and 90-230 VAC/DC
	Voltage Variation	+/- 10% of Nominal Supply Voltage
	Accept Button	Front and Rear for Remote switch
	Current	80 mA (Max)
	Sound Level	110 dB @ 1 meter +/- 10 dB
	Insulation resistance at 500 VDC	1.3 X 10 <sup>4</sup> Mega - Ohm
	Terminal Capacity	
	<i>Flexible Wire</i>	0.5 to 1.5 mm <sup>2</sup> (Max)
<i>Solid conductor Wire</i>	0.5 to 1.5 mm <sup>2</sup> (Max)	

**Note: dB Level varies with the environmental/surrounding condition in which it is measured.**

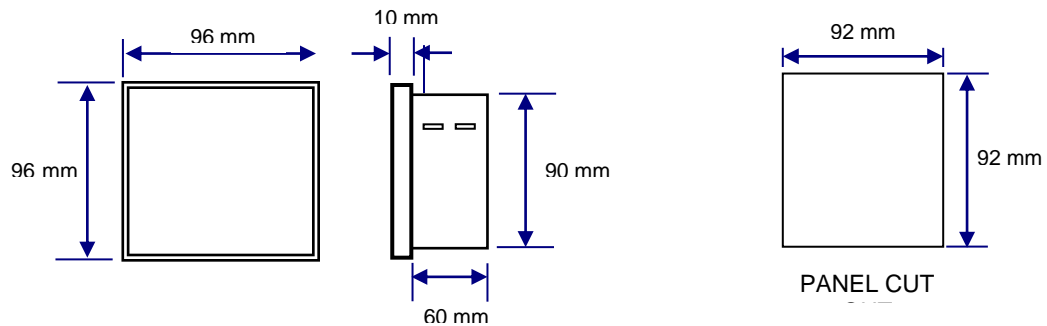
Information in the datasheet is subject to modification without prior notice

Craftech, 264, I floor, Mulay I Square,  
Opp. Siemens, MIDC, Ambad,  
Nashik – 422010, INDIA

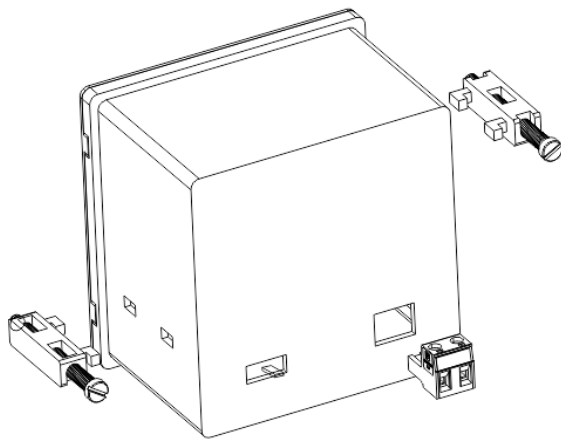
**craftech**  
Enhancing Business Performance  
Email: [info@craftech.co.in](mailto:info@craftech.co.in),  
[www.craftech.co.in](http://www.craftech.co.in)

# Electronic Hooter

## Product Dimension Drawing



### Installation diagram:



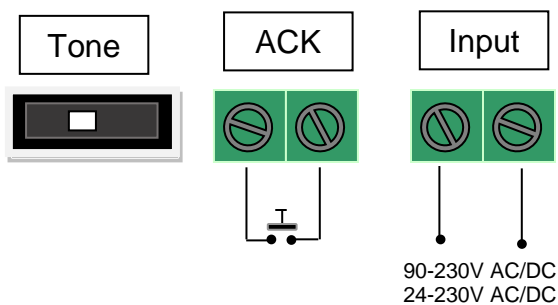
Craftech Electronic hooter is designed to operate at various AC/DC Voltages. The Product comes with two voltage range 90-230 VAC/DC and 24-230V AC/DC. The Hooter has polarity protection and termination can be done either sides of connector for DC voltages

The hooter can be silenced or acknowledged by a push button provided on the front panel. (Front and Rear Acknowledgement is available on request) Once the hooter is acknowledged the LED will keep glowing, until the fault is cleared; as long as the voltage is available across input terminals.

Note: Hooter with Acknowledge is not a standard feature.

On the rear side of the hooter, Slide switch is provided to select tone, user can select three tones by changing Slide switch position.

### Rear Panel Connection Diagram



### Tone setting slide switch

